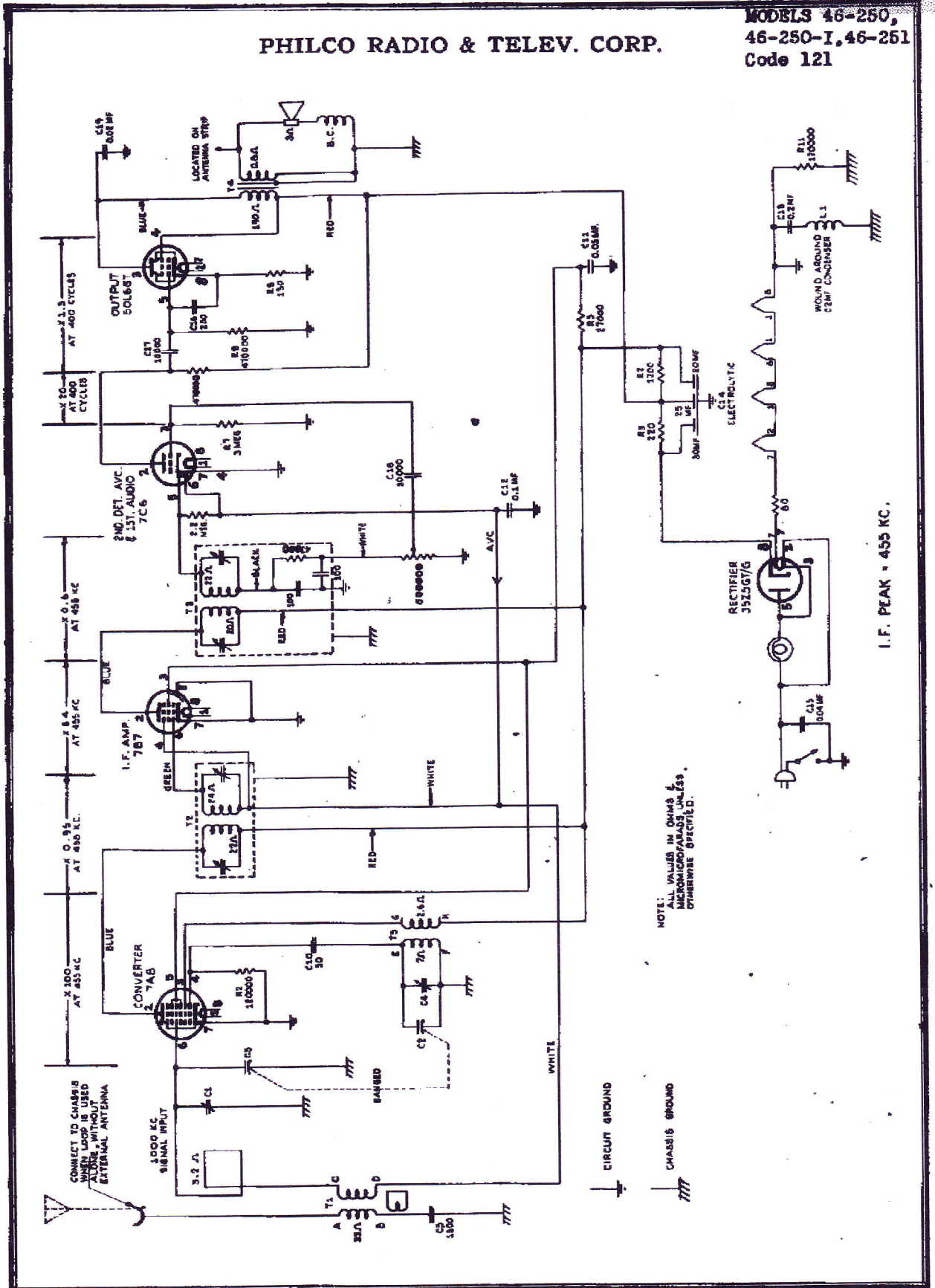


PHILCO RADIO & TELEV. CORP.



I.F. PEAK = 455 KC.